

Eyewash Station

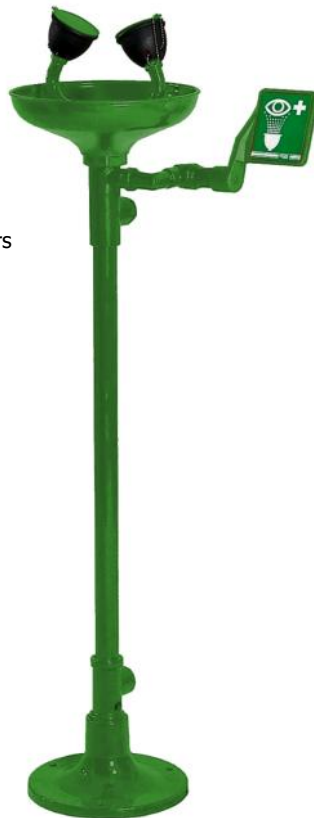
Model 1100-320G

Characteristics:

- Galvanised steel pipes
- Brass fittings
- Aluminium basel
- Fully coated in anti-corrosion epoxy paint
- Manual control
- Floor-mounted
- Green ABS basin
- Eyewash spray heads equipped with rubber sleeves and dust covers
- Aerated, regulated water stream

- G1/2" water supply
- G1" drain
- Eyewash flow rate: 12 l/min
- Min. pressure 2 bar

Complies with DIN EN 246

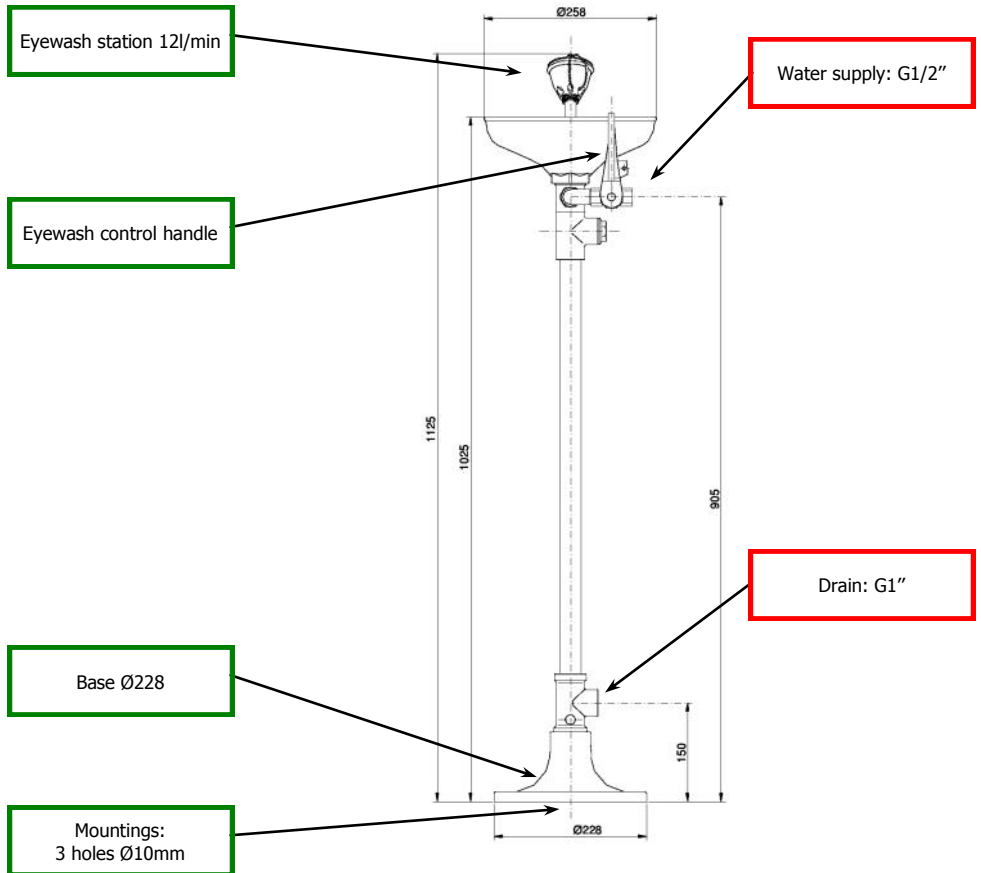


For the safety of personnel, showers and eyewash stations are essential on sites where there is any risk of splashing of hazardous products. These units are therefore recommended for laboratories, workshops, hospitals, universities, schools, etc.

Showers and eyewash stations are first-aid equipment, which must be installed near the source of the hazard and, if possible, near a standard water supply. They must be easily accessible and clearly signposted.

Eyewash Station

Model 1100-320G



Eyewash Station

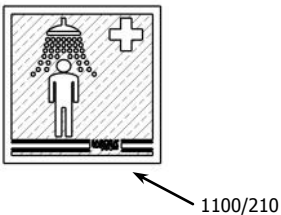
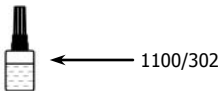
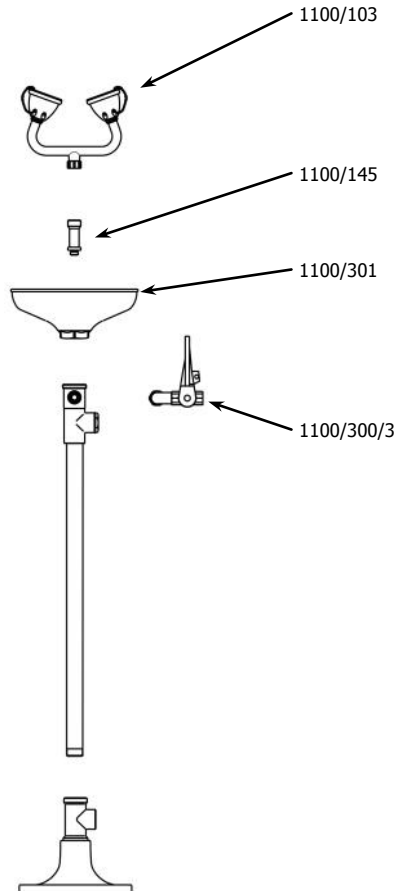
Model 1100-320G

EYEWASH

1100/103	Eyewash spray head
ST-145	Sleeve
1100/301	Basin
1100/330/1	Operating pedal (optional)

GENERAL

1100/302	Thread sealant
1100/210	Safety sign





Eyewash Station

Model 1100-320G

A series of horizontal dotted lines spanning the width of the page, intended for technical drawing or notes.