

# Freeze-proof Showers

## Modèle 1110 FP

### Norms :

**CE EN 15154-1 and CE EN 15154-2**  
**AFNOR NF X08.003.**

### Outdoor use.

### Characteristics :

Pipes in hot galvanized steel  
Coated with 300/400 micron Rilsan, Color Yellow  
ABS green or yellow head

Use wall mounted (will lean/out to drain off remaining water)

Manual control  
Shower head high flow  
Automatic drain  
(Brevet VPF)

Water supply G1" must be connected to a potable water supply  
Water flow 114 l/mn  
Min. Pressure 2 bars

### Principle of functioning :

Freeze-proof valve is self draining and operates on the principle of "dry pipe system". After use, the remaining water flow underground through automatic drain on feeding valve.  
Pipes without water are freeze proof.

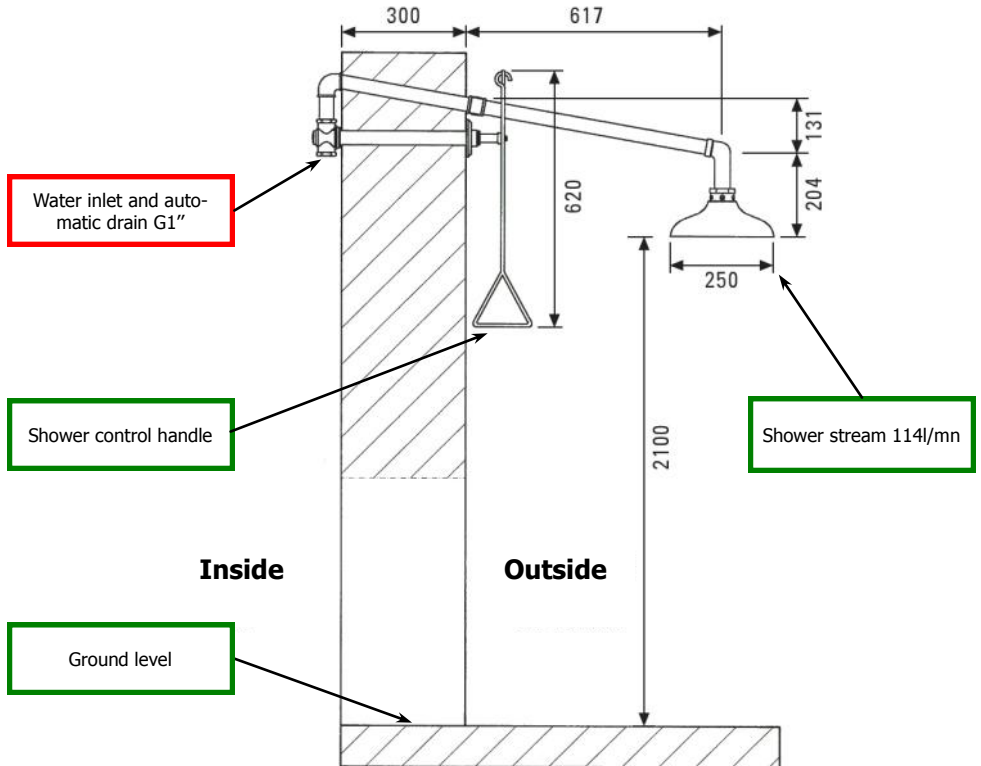


For the safety of personnel, showers and eyewash stations are essential on sites where there is any risk of splashing of hazardous products. These units are therefore recommended for laboratories, workshops, hospitals, universities, schools, etc.

Showers and eyewash stations are first-aid equipment, which must be installed near the source of the hazard and, if possible, near a standard water supply. They must be easily accessible and clearly signposted.

# Freeze-proof Showers

## Modèle 1110 FP



# Freeze-proof Showers

## Modèle 1110 FP

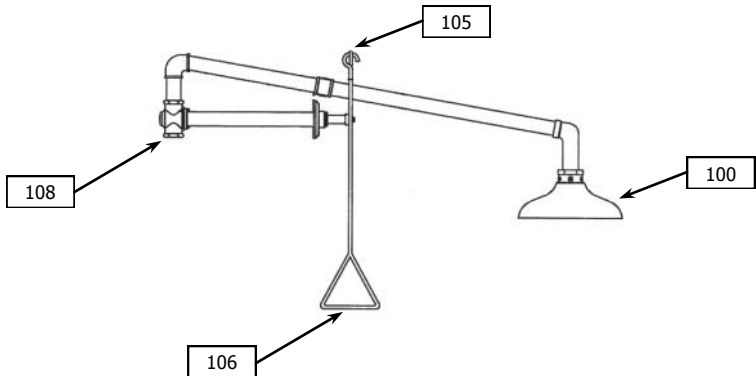
### SHOWER

100SS	Shower head Stainless steel
100V	Shower head Green
100J	Shower head Yellow
108	Valve 1"
105	Operating handle
106	Operating handle
107	Stainless steel spring

### GENERAL

5001	Safety sign
------	-------------

5001





# Freeze-proof Showers

## Modèle 1110 FP

A series of horizontal dotted lines spanning the width of the page, intended for handwritten notes or a signature.