

# Freeze-proof Showers

## Model 1120 FP

### Norms :

**CE EN 15154-1 and CE EN 15154-2**  
**AFNOR NF X08.003.**

### Outdoor use.

### Characteristics :

Pipes in hot galvanized steel, coated with 300/400 micron Rilsan  
Color Yellow

Basin in green RAL 6029 ABS  
Floor installation (in the ground)  
Automatic drain  
Manual command by platform  
Shower head high flow

Water supply : G1"1/4 in the ground (1000mm)  
Water flow : 114 l/mn  
Min. Pressure : 2 bar

### Principle of functioning :

Freeze-proof valve is self draining and operates on the principle of "dry pipe system". After use, the remaining water flow underground through automatic drain on feeding valve.

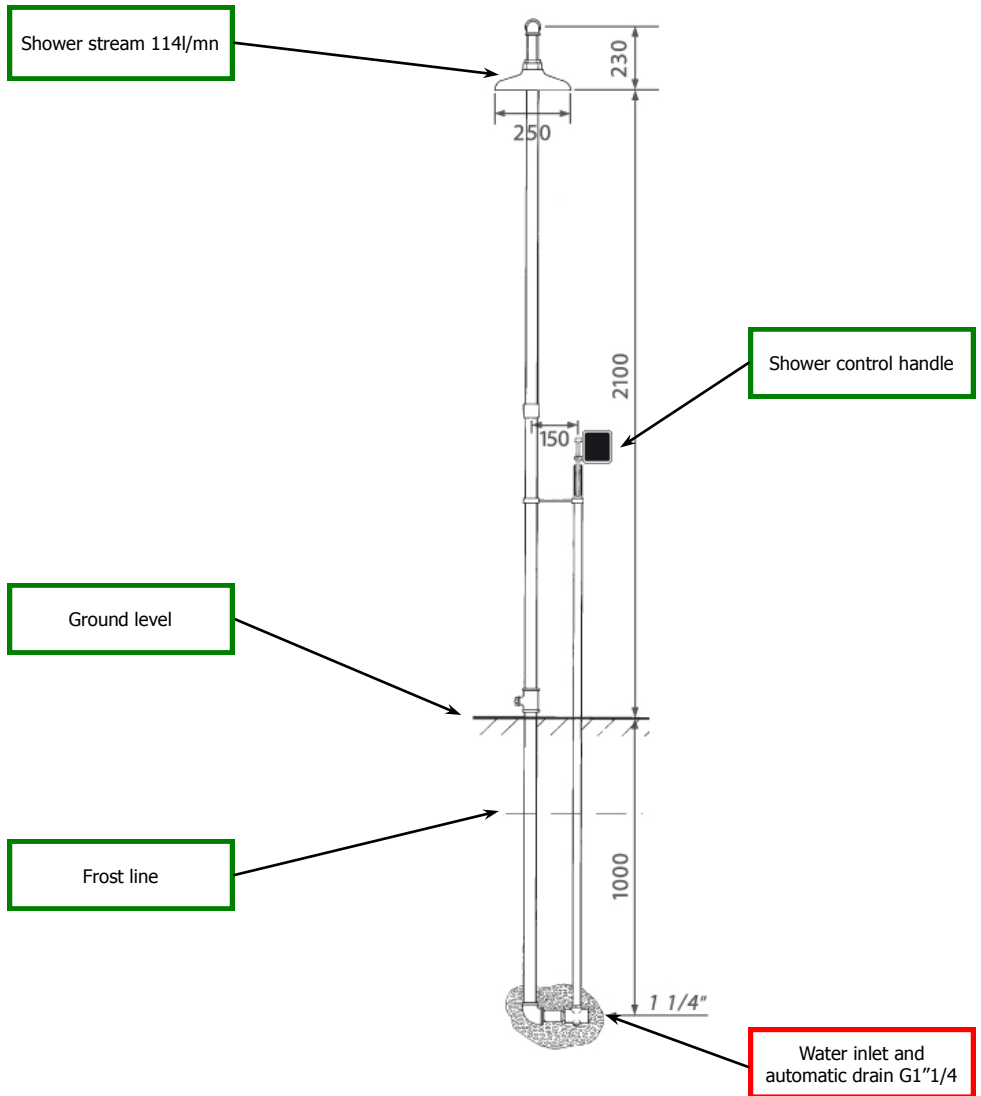
For the safety of personnel, showers and eyewash stations are essential on sites where there is any risk of splashing of hazardous products. These units are therefore recommended for laboratories, workshops, hospitals, universities, schools, etc.

Showers and eyewash stations are first-aid equipment, which must be installed near the source of the hazard and, if possible, near a standard water supply. They must be easily accessible and clearly signposted.



# Freeze-proof Showers

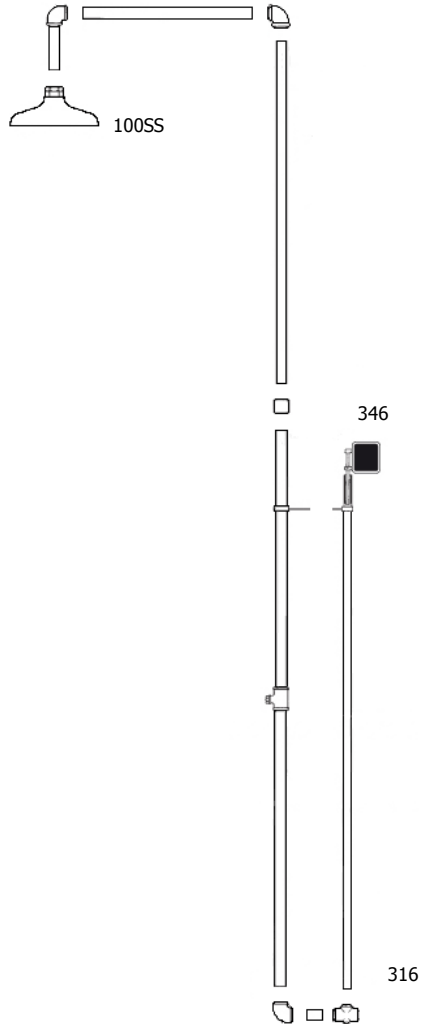
## Model 1120 FP



# Freeze-proof Showers

## Model 1120 FP

<b>SHOWER</b>	
100SS	Shower head
400	Valve
346	Operating handle
<b>EYEWASH</b>	
123 to 136	Eyewash spray head
150S	Basin
<b>GENERAL</b>	
316	Kit valve
131 to 134	Operating pedal
128	Base
5006	Safety signs





# Freeze-proof Showers

## Model 1120 FP

A series of horizontal dotted lines spanning the width of the page, intended for handwritten notes or a signature.