

Freeze-proof Showers

Modèle 2210 FP

Norms :

CE EN 15154-1 and CE EN 15154-2
AFNOR NF X08.003.

Outdoor use.

Characteristics :

Pipes in hot galvanized steel
Coated with 300/400 micron Rilsan, Color Yellow
ABS green or yellow ABS bowl

Use wall mounted (will lean/out to drain off remaining water)

Manual command by platform

Eyewash with 2 spray heads + stainless steel filter

Automatic drain

(Patent VPF)

Water supply : G1/2" must be connected to a potable water supply

Min. Pressure : 2 bars

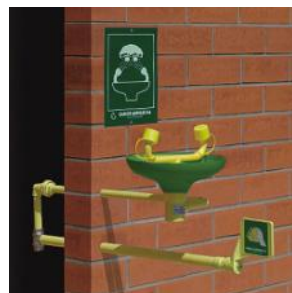
Water flow : 12 l/mn

Outlet : G 1"-1/4

Principle of functioning :

Freeze-proof valve is self draining and operates on the principle of "dry pipe system". After use, the remaining water flow underground through automatic drain on feeding valve.

Pipes without water are freeze proof.

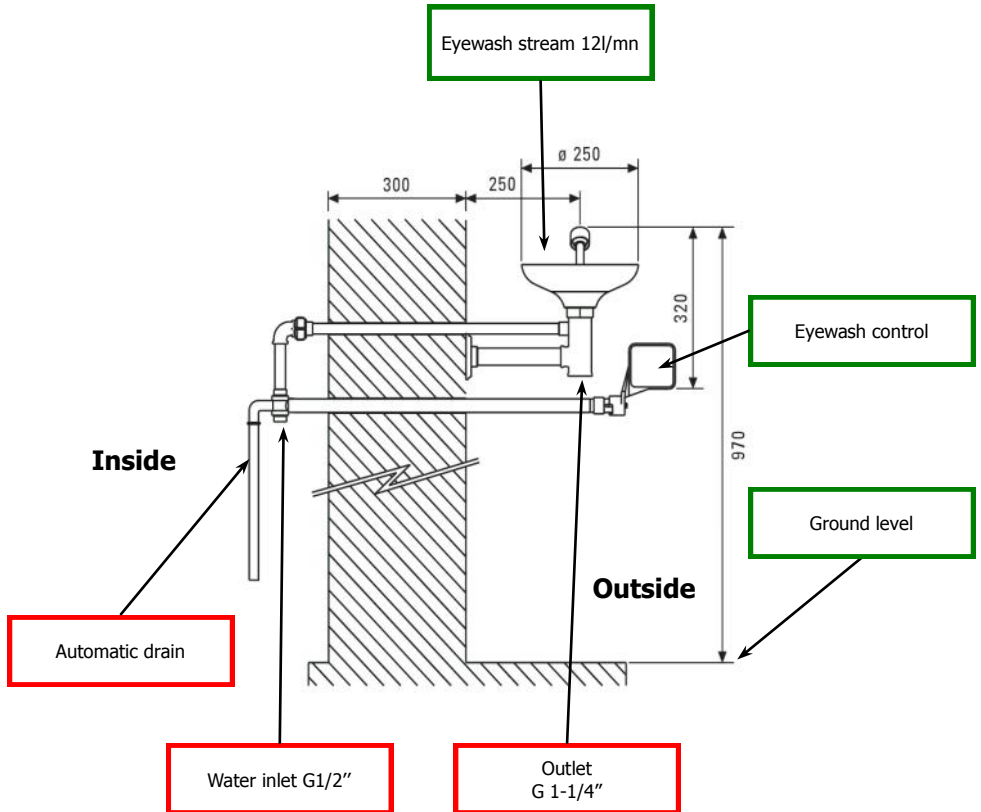


For the safety of personnel, showers and eyewash stations are essential on sites where there is any risk of splashing of hazardous products. These units are therefore recommended for laboratories, workshops, hospitals, universities, schools, etc.

Showers and eyewash stations are first-aid equipment, which must be installed near the source of the hazard and, if possible, near a standard water supply. They must be easily accessible and clearly signposted.

Freeze-proof Showers

Modèle 2210 FP



Freeze-proof Showers

Modèle 2210 FP

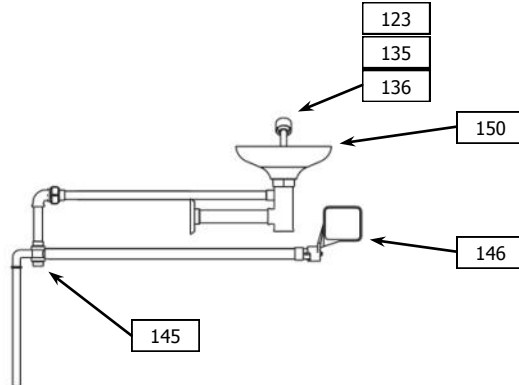
EYEWASH

150SS	Stainless steel bowl
150V	Green bowl
150J	Yellow bowl
145	Valve 1/2"
146	Operating handle
136	Eyewash spray head
135	Eyewash spray head
123	Protection cover

GENERAL

5005	Safety sign
------	-------------

5005





Freeze-proof Showers

Modèle 2210 FP

A series of horizontal dotted lines spanning the width of the page, intended for handwritten notes or a signature.